



## Disassembly of Waste Electrical and Electronic Equipment (WEEE) Manual

EU Waste Electronic and Electrical Equipment Directive require producers to provide information of the different electronic and electrical materials and components found in their products at its end-of-life, and disassembly references to treatment and recycling facilities.

This document communicates, according to the best of Lexmark's knowledge, the following information that is intended only for the use of treatment and recycling facilities:

1. Product information
2. Materials and components list for selective treatment
3. Disassembly tools
4. Disassembly references

### 1. Product information

**Model name(s)**—Indicate all model name(s) within the product family

| Model name  |
|---|
| <b>X950 Series –</b><br>X950de, X950de3, X950dhe                    |
| <b>X952 Series –</b><br>X952de, X952de3, X952dhe, X952dte, X952dte3 |
| <b>X954 Series –</b><br>X954de4, X954de3, X954dhe, X954dhe3         |
| <b>XS95x Series –</b><br>XS950de, XS955de, XS955dhe                 |

\* Add rows as needed

### 2. Materials and components list for selective treatment

| Items   | Quantity | Notes                                       |
|---|----------|---|
| Polychlorinated biphenyls (PCB) containing capacitors                 | 0        | N/A   |
| Mercury containing components, such as switches or backlighting lamps | 0        | N/A   |
| Batteries   | 1        | Lithium Manganese Dioxide coin cell         |
| Printed circuit boards greater than 10 cm <sup>2</sup>                | 10       |   |
| Toner cartridges, liquid and pasty, as well as colour toner           | 5        | 4 Toner cartridges and 1 Waste toner bottle |
| Plastic containing brominated flame retardants                        | 0        | N/A   |

|   |   |                                       |
|---|---|---------------------------------------|
| Asbestos waste and components which contain asbestos  | 0 | N/A                                   |
| Cathode ray tubes   | 0 | N/A                                   |
| Chlorofluorocarbons (CFC), Hydrochlorofluorocarbons (HCFC) or Hydrofluorocarbons (HFC), Hydrocarbons (HC)     | 0 | N/A                                   |
| Gas discharge lamps   | 0 | N/A                                   |
| Liquid Crystal Display (LCD) greater than 100 cm <sup>2</sup> and those back-lighted with Gas discharge lamps | 1 | N/A                                   |
| External electrical cables  | 1 | Power cable – Rear side of the device |
| Components containing refractory fibres   | 0 | N/A                                   |
| Components containing radioactive substances  | 0 | N/A                                   |
| Electrolyte capacitors containing substances of concern <sup>1</sup>  | 0 | N/A                                   |
| <sup>1</sup> With (height > 25 mm, diameter > 25 mm or proportionately similar volume)                        |   |                                       |

### 3. Disassembly tools

| Item   |
|--|
| #2 Phillips screwdriver, magnetic              |
| Wire cutter                                    |
| E-clip puller or a small flat-head screwdriver |

### 4. Disassembly references

#### 4.1. Removal Procedures



X95x Series WEEE removal

WEEE materials and components removal procedures are available upon request.

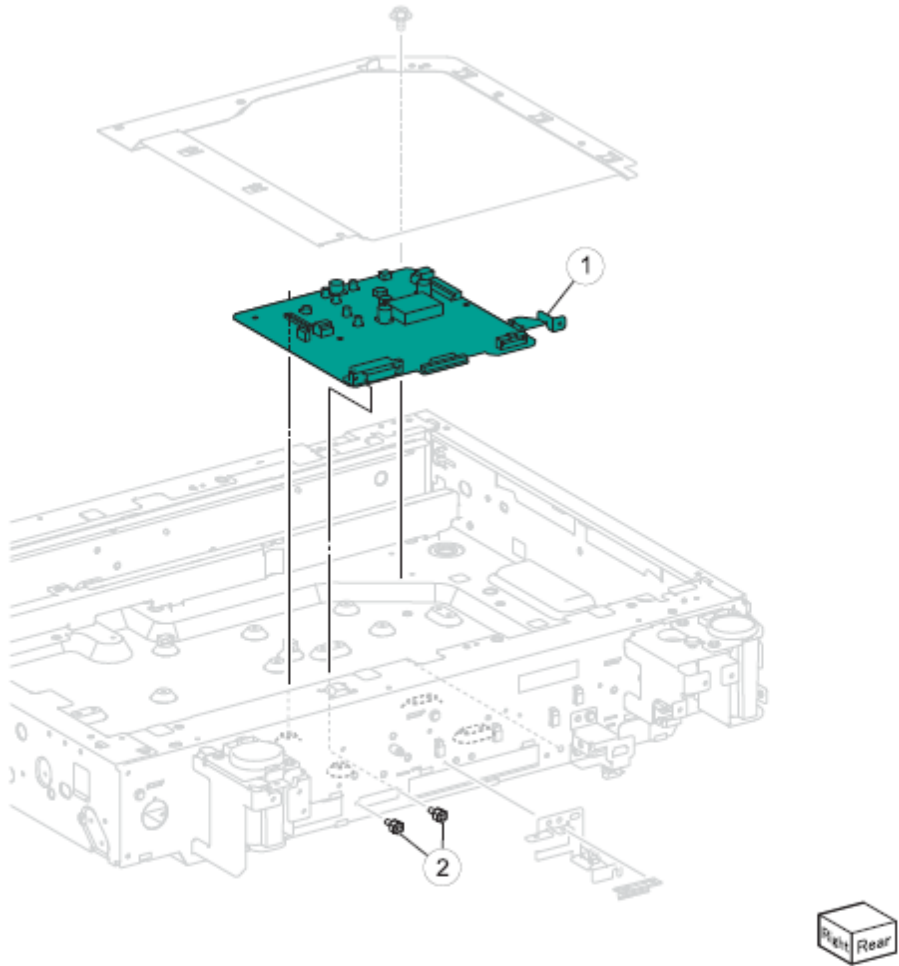
Contact: [recycling@lexmark.com](mailto:recycling@lexmark.com)

#### 4.2. Graphical illustration of material's and component's location

*See next page*

**X95X SERIES**  
**Location**

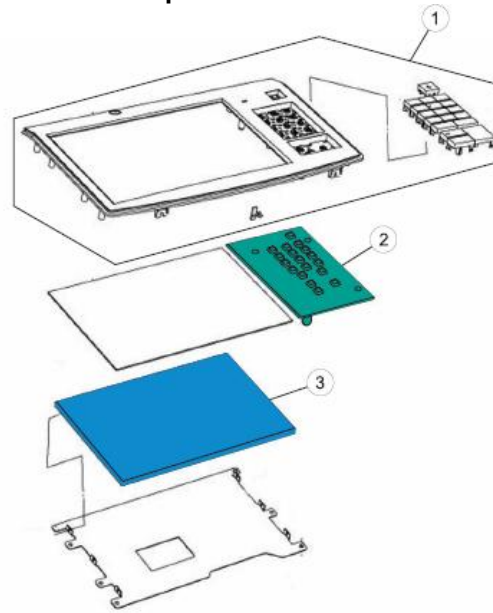
**Scanner controller board**



| Index | Description             |
|-------|-------------------------|
| 1     | Scanner controller PCBA |
| 2     | Screw                   |

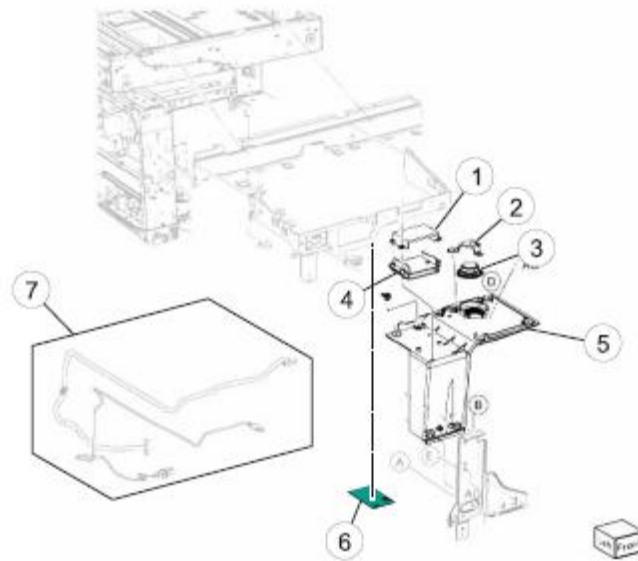
## X95X SERIES Location

### Operator Panel



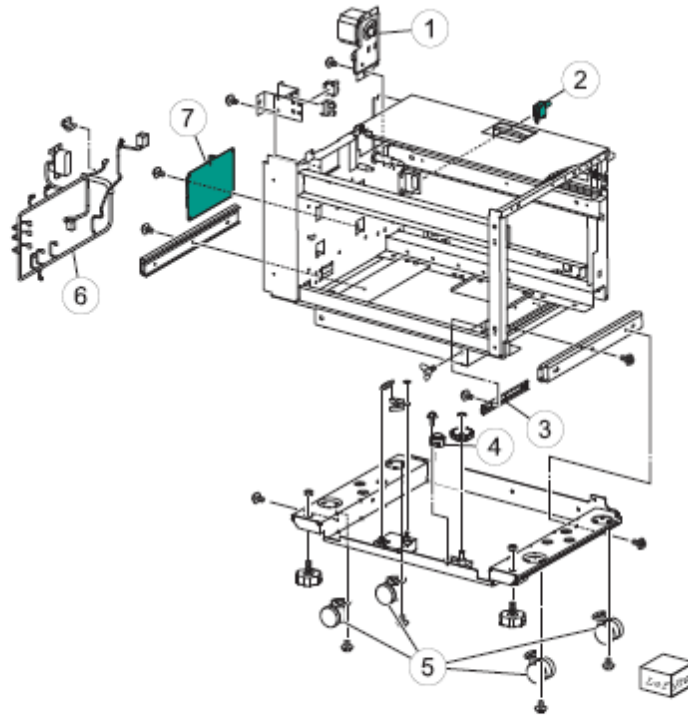
| Index | Description                    |
|-------|--------------------------------|
| 1     | Operator panel top cover (MFP) |
| 2     | MFP Operator panel PCBA        |
| 3     | MFP touch screen PCBA          |

### Operator Panel Covers 2



**X95X SERIES  
Location**

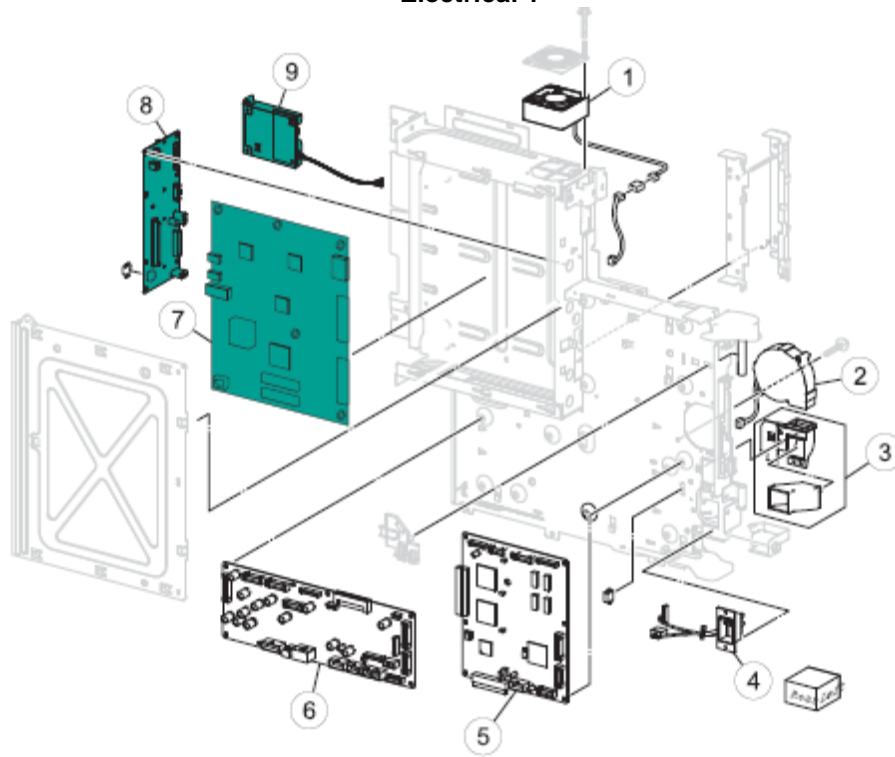
**High Capacity Feed**



| Index | Description                         |
|-------|-------------------------------------|
| 1     | HCF transport motor                 |
| 2     | Sensor (HCF unit docking interlock) |
| 3     | HCF rack gear                       |
| 4     | HCF sliding damper                  |
| 5     | HCF caster                          |
| 6     | HCF main cable                      |
| 7     | HCF controller card PCBA            |

## X95X SERIES Location

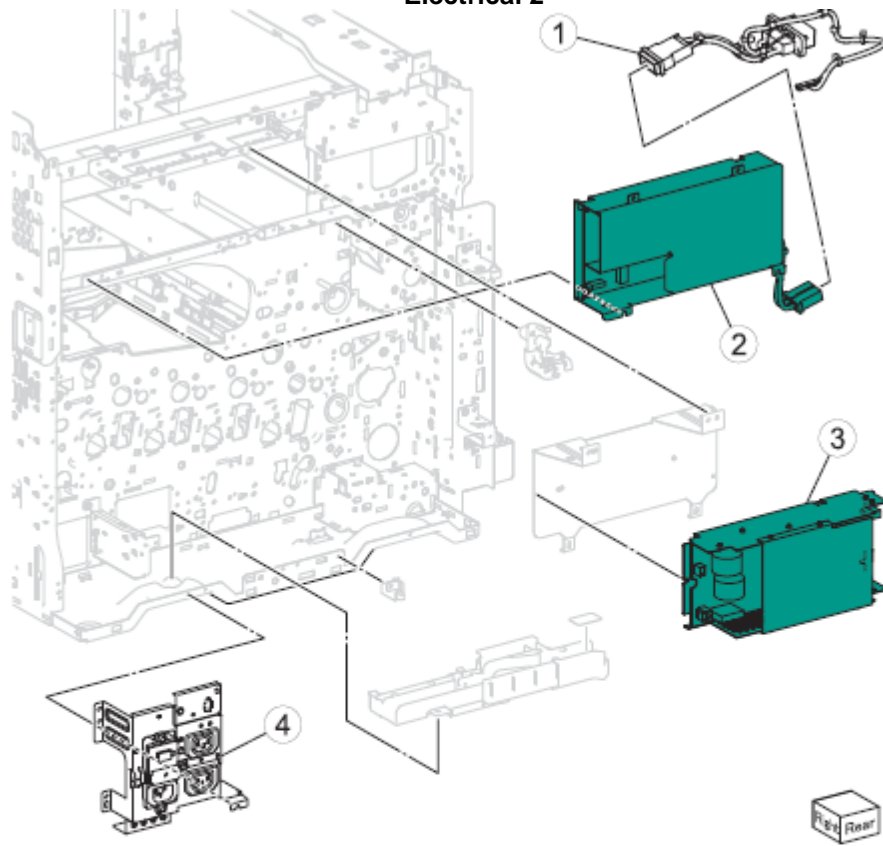
### Electrical 1



| Index | Description               |
|-------|---------------------------|
| 1     | Controller cooling fan    |
| 2     | Suction fan               |
| 3     | Suction fan duct          |
| 4     | HCF interface contact     |
| 5     | Upper printer engine PCBA |
| 6     | Lower engine PCBA         |
| 7     | RIP card PCBA (MFP)       |
| 8     | Bridge PCBA (MFP)         |
| 9     | Fax card                  |

## X95X SERIES Location

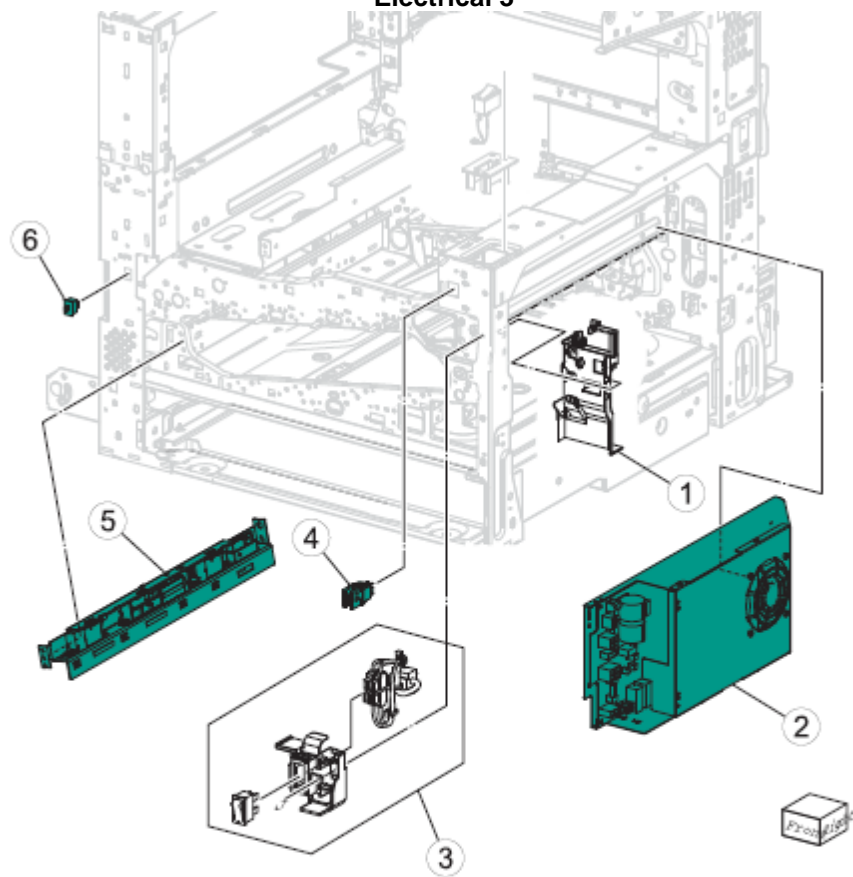
### Electrical 2



| Index | Description                   |
|-------|-------------------------------|
| 1     | Fuser power contact 110V      |
| 1     | Fuser power contact 220V      |
| 2     | Fuser driver PCBA 110V        |
| 2     | Fuser driver PCBA 220V        |
| 3     | Sub LVPS PCBA                 |
| 4     | Main power GFI interface 110V |
| 4     | Main power GFI interface 220V |

**X95X SERIES**  
**Location**

**Electrical 3**

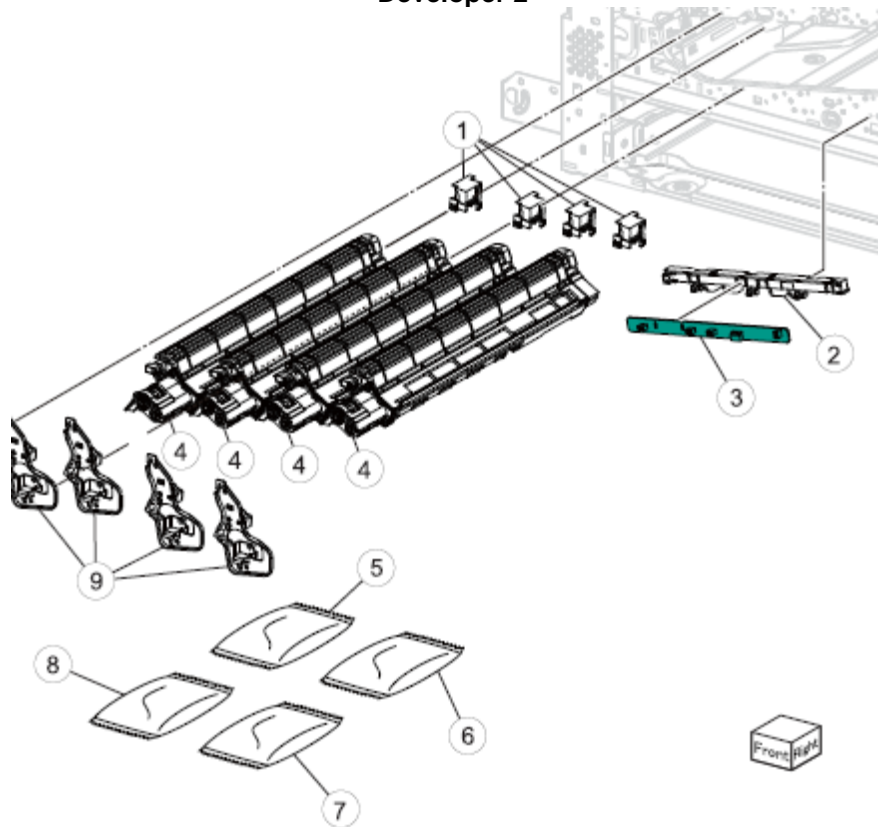


| Index | Description                                 |
|-------|---|
| 1     | LVPS front fan guide                        |
| 2     | LVPS PCBA                                   |
| 3     | Main power switch                           |
| 4     | Sensor (printer right front door interlock) |
| 5     | Sensor (Image calibration)                  |
| 6     | Front door sensor                           |



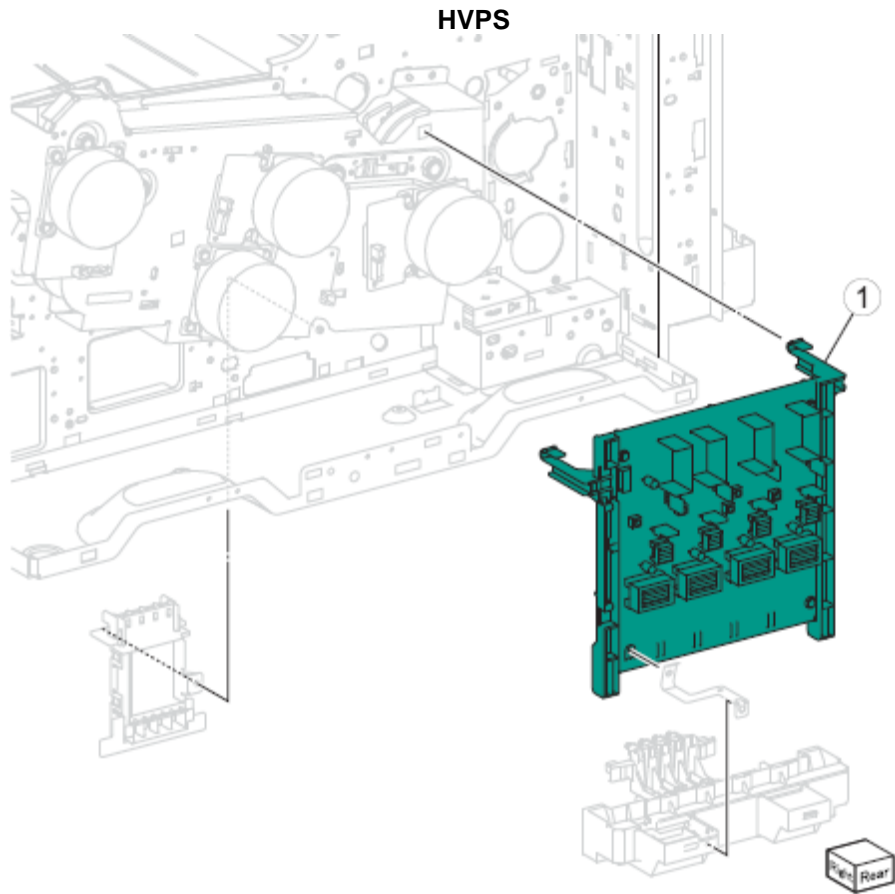
**X95X SERIES**  
**Location**

**Developer 2**



| Index | Description                    |
|-------|--------------------------------|
| 1     | Developer housing rear plunger |
| 2     | ATC sensor PCB bracket         |
| 3     | ATC sensor PCB                 |
| 4     | Developer housing              |
| 5     | K developer carrier            |
| 6     | C developer carrier            |
| 7     | Y developer carrier            |
| 8     | M developer carrier            |
| 9     | Developer bracket              |

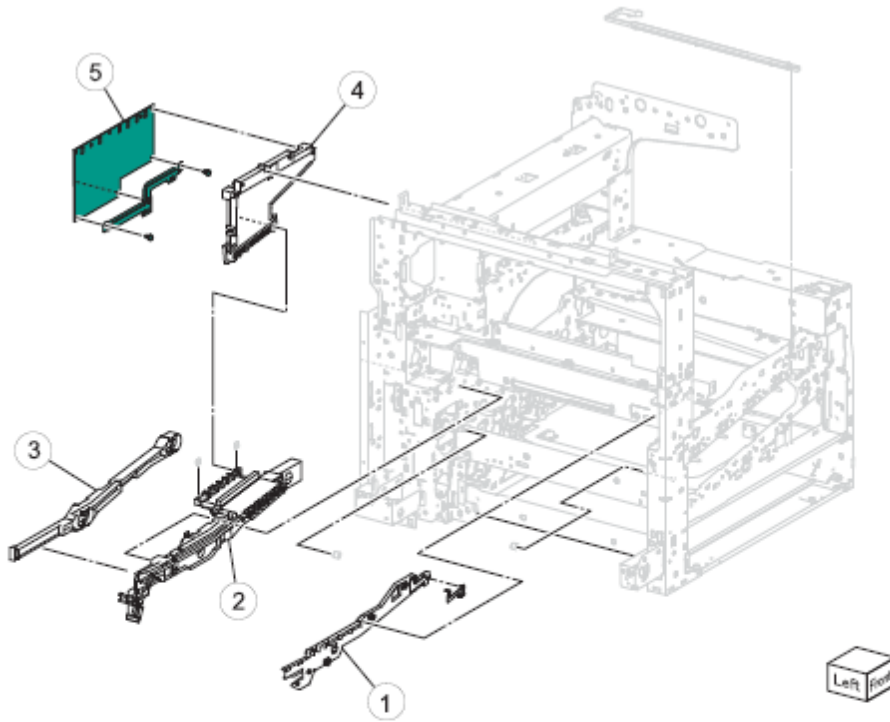
**X95X SERIES**  
**Location**



| Index | Description         |
|-------|---------------------|
| 1     | Developer HVPS PCBA |

**X95X SERIES  
Location**

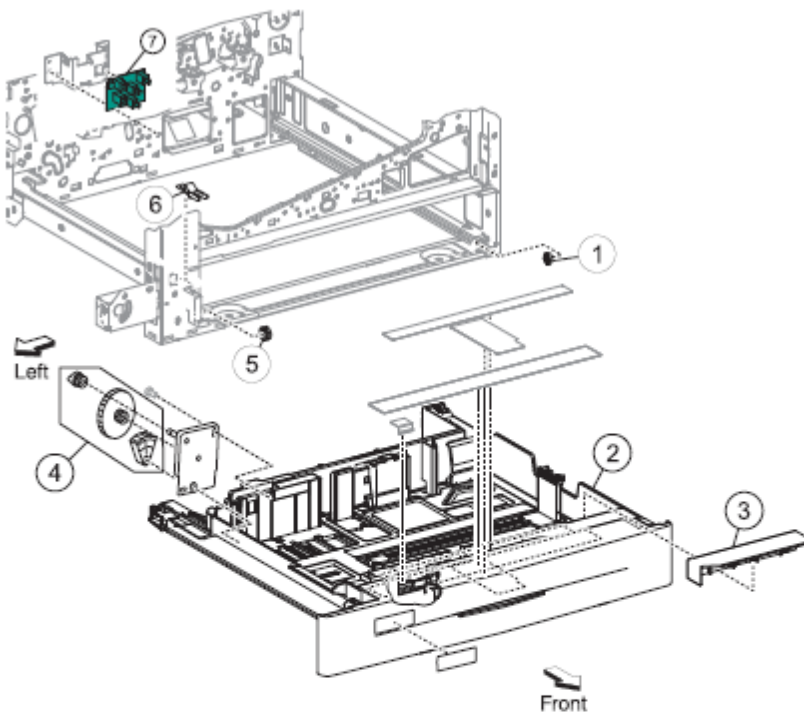
**Transfer Belt 2**



| Index | Description                    |
|-------|--------------------------------|
| 1     | Front transfer belt guide      |
| 2     | Rear transfer belt guide       |
| 3     | Belt removal actuator          |
| 4     | 1st transfer conductor housing |
| 5     | Transfer roll HVPS PCBA        |

**X95X SERIES**  
**Location**

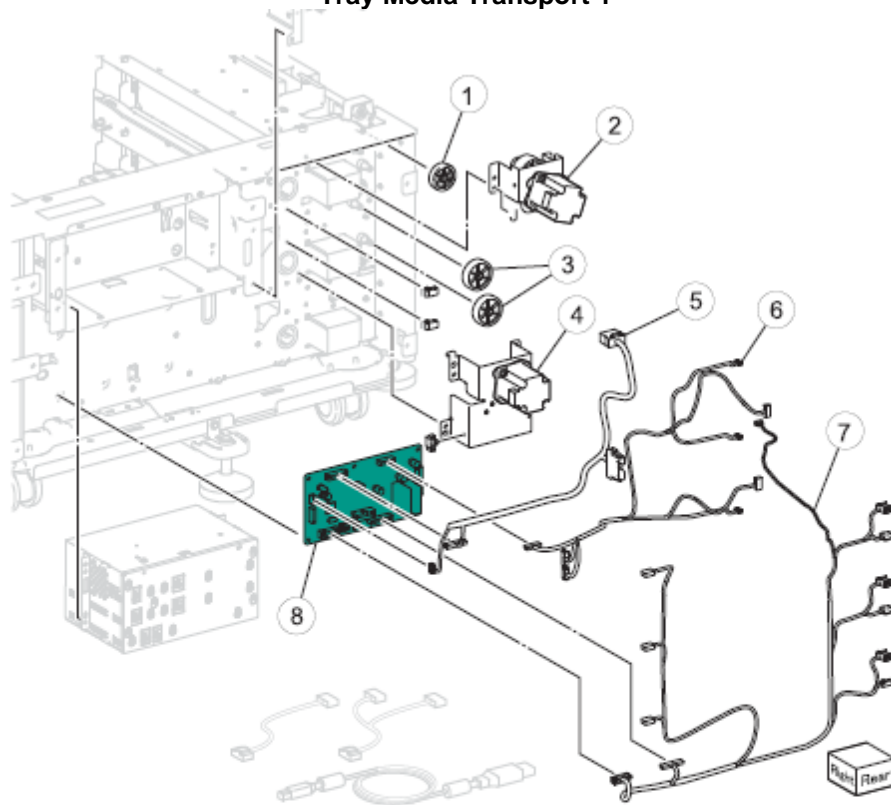
**Media Feed 1**



| Index | Description  |
|-------|--|
| 1     | Media tray right roller  |
| 2     | Printer media tray # 1   |
| 3     | Media tray compartment cover   |
| 4     | Media tray lift gear kit includes: <ul style="list-style-type: none"><li>• Tray lift coupling gear 19T</li><li>• Tray lift gear 19/80T</li><li>• Tray lift sector gear 12T</li></ul> |
| 5     | Media tray left roller   |
| 6     | Media tray stop  |
| 7     | Media size switch PCB  |

**X95X SERIES**  
**Location**

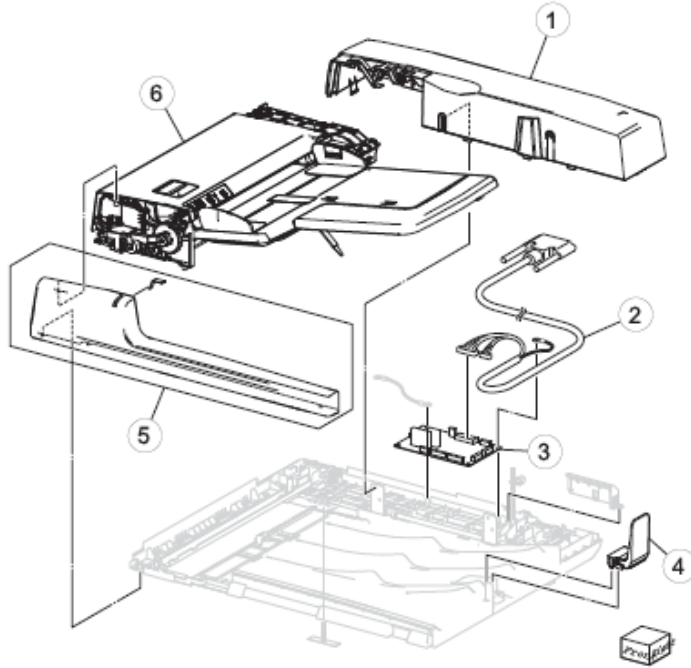
**Tray Media Transport 1**



| Index | Description                       |
|-------|-----------------------------------|
| 1     | 3TM 34T gear                      |
| 2     | 1TM/3TM upper transport motor     |
| 3     | 3TM/TTM 39T gear                  |
| 4     | Tray module lower transport motor |
| 5     | 3TM interface cable               |
| 6     | 3TM motor cable                   |
| 7     | 3TM sensor cable                  |
| 8     | Tray module controller PCBA       |

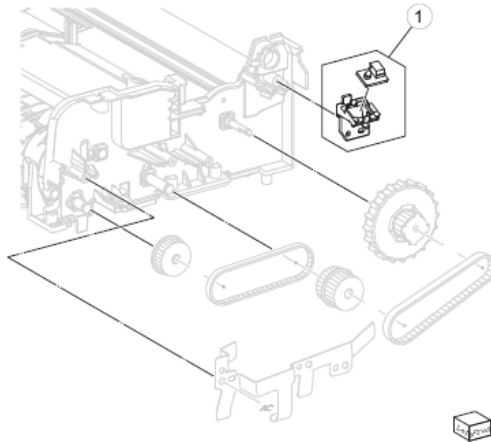
**X95X SERIES**  
**Location**

**ADF Covers**



| Index | Description                 |
|-------|-----------------------------|
| 1     | ADF rear cover              |
| 2     | ADF interface cable         |
| 3     | ADF controller PCBA         |
| 4     | ADF media stop              |
| 5     | ADF front cover             |
| 6     | ADF main drive sub assembly |

**ADF LED PCB**



| Index | Description |
|-------|-------------|
| 1     | ADF LED PCB |

**X95X SERIES  
Location**

*Location of Sensors, Fans, Motors and Input and Output Options PCB, Sensors can be found in the X95x WEEE Removal*